

# VDSL

## Driver Side Protection

### Solution Products



2038-110-SM-RPLF



TISP4P015L1NR-S



CD143A-SR70

### Design Kit



PN-DESIGNKIT-36

### Objective

VDSL provides fast data transmission, usually over a twisted pair of copper wires. This solution protects these ports against surge and power contact threats.

### Solution

- 1 GDT: 2038-110-SM-RPLF
- 1 Thyristor: TISP4P015L1NR-S
- 1 Diode Bridge: CD143A-SR70

### Compliance

ITU-T Basic and Enhanced  
GR-1089-CORE

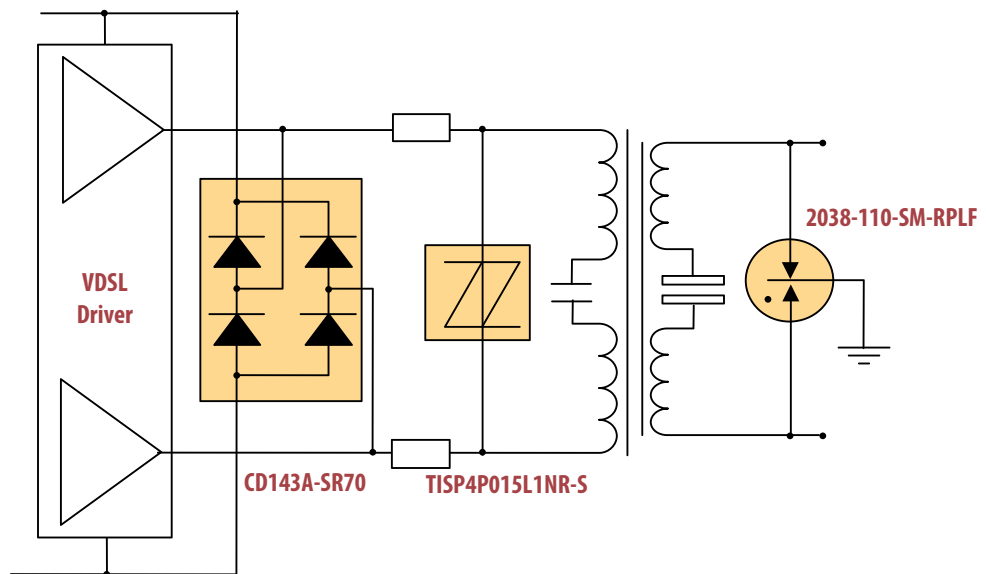
### Alternate Recommendations

*Other PortNote<sup>®</sup> Solutions:*

- VDSL: Line Side Protection
- Variations of this circuit are available depending on specific design constraints; contact your local Bourns technical representative for more information.*

### Benefit

This solution provides protection on the driver side without impairing the VDSL 17 MHz signal.



*The schematic above illustrates the application protection and does not constitute the complete circuit design. Customers should verify actual device performance in their specific applications.*